

H120
H200
H300
H1000

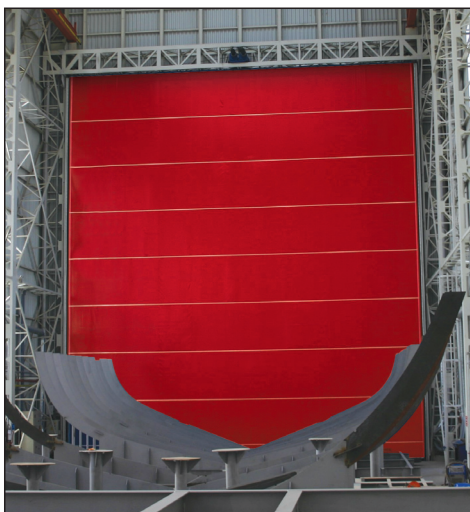
HANGAR DOORS

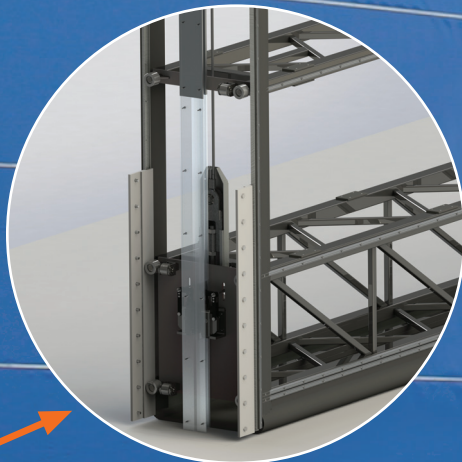
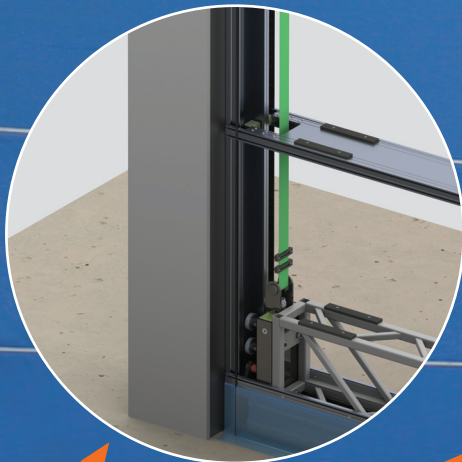
Lucid hoist up hangar doors	Lucid H120	Lucid H200	Lucid H300	Lucid H1000	Lucid mullion systems
Wind load	0,5-1 kN/mm2	0,7-1,7 kN/mm2	0,7-1,7 kN/mm2	0,7-4 kN/mm2	0,7-2,5 kN/mm2
Width max. (mm)	8000	16000	26000	40000	Unlimited
Height max. (mm)	12000	20000	25000	30000	25000
Depth (mm)	120	200	300	600-2000	120-2000
Power supply	3- phase 400V-50Hz (other options available on request)				
Control voltage	24V DC				
Fabric	Temperature resistance -40 RC / +70RC DIN EN 1876-1 -40 RF / +158RF ASTM D-2136E Tensile strength 4300/4000 N/50 mm DIN EN ISO 1421 430 /400 lbs ASTM D-751 procedure B Total weight 900g/m2 DIN EN ISO 2286 26.5 oz./sq.yd ASTM D-751.10 UV Stabilized		Fire test Standard curtain ISO 3795 <100 mm/min. FR curtain DIN 4102: B1 EN 13501-1: B-s3-d0 NFP 92507:M2 BS 7837 GHOST: G1 ÖNorm: B1		
Main construction	Aluminum			Steel	
Truck	Aluminum				
Buttom profile	Steel frame				
Motor quantity	1-2				
Lifting Polyester band (PB)PB or steel rope (StR)	2 Pcs	PB 2 Pcs	PB 2-4 pcs	St 4 pcs	PB 2 Pcs
Safety factor	>10				
Safety devices	Slack strap device and load arresters with wind lock, pneumatic safety device, photocells				

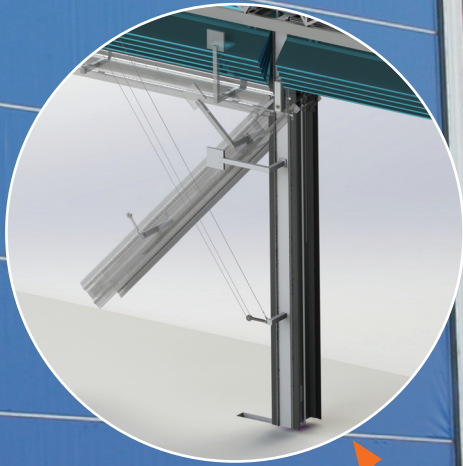
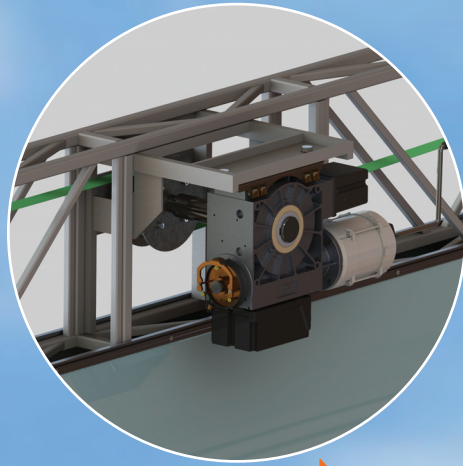
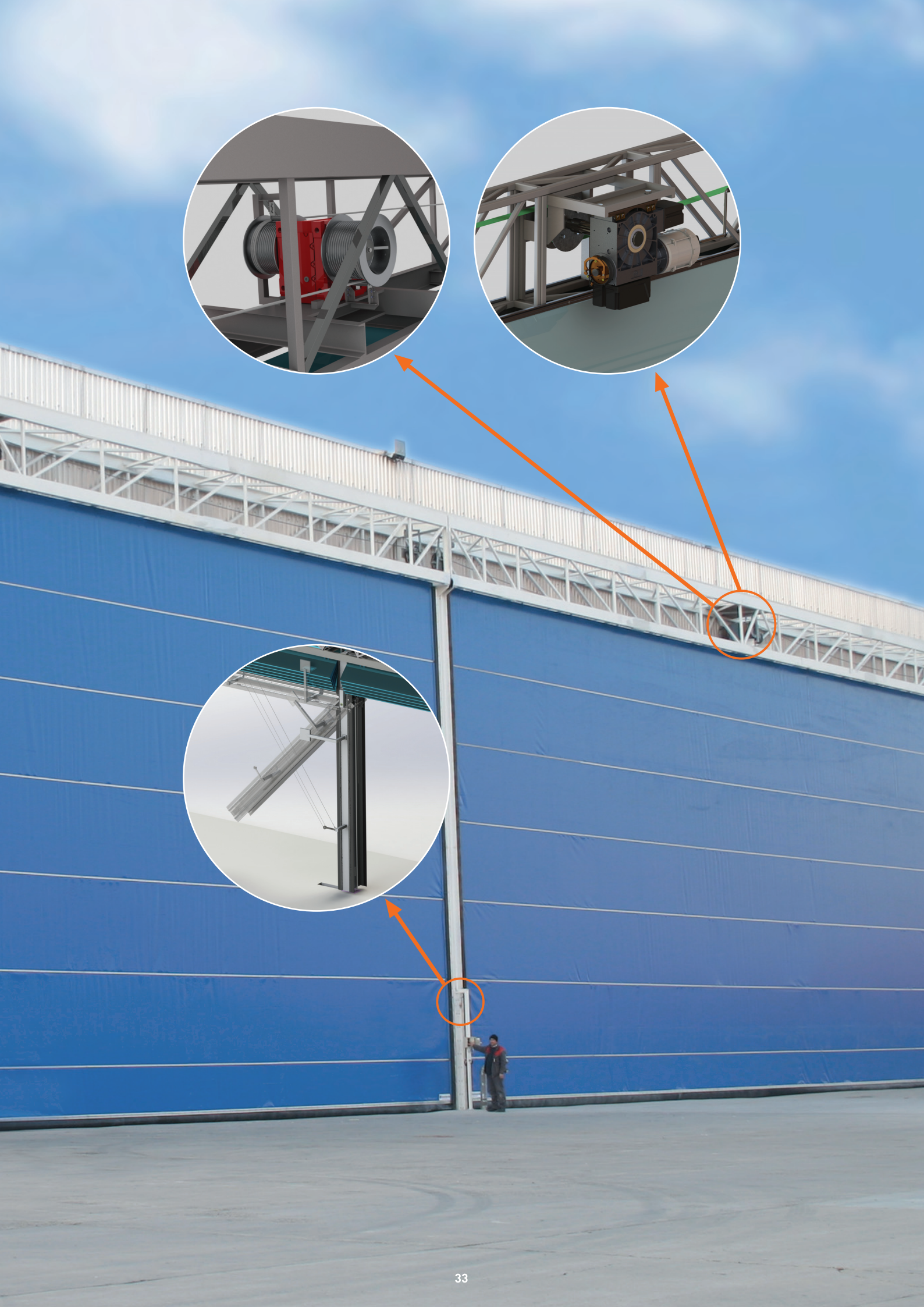


Lucid hangar doors are used in the buildings with large opening dimensions. Lucid provides solutions to extraordinary access challenges where environmental and climate require great demands on the door.

Lucid engineers design each door to fulfill specific customer requirements and calculate the wind load for the request. Architects use this products for aircraft hangars, shipyards, mines, bridge crane openings and great passage applications.









Our goal

- To reduce building structure cost.
- To help energy savings.
- To create safety environments.
- To minimize maintenance costs.

Design

Each hangar doors is manufactured according to your specifications, so we suggest communication from designing stage till installation phase.

Lucid hangar doors do not need big rooms at the top of the buildings. Architects freely locate the door inside or outside buildings.

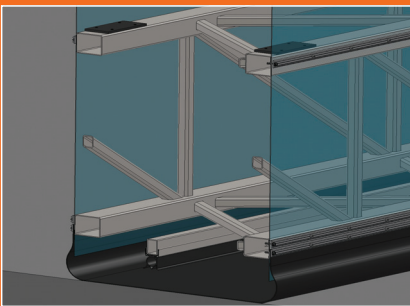
Unlimited width sizes

Lucid hangar doors can be provided in nearly all dimensions with mullions, we can reach unlimited width sizes. Height also limited with your needs.

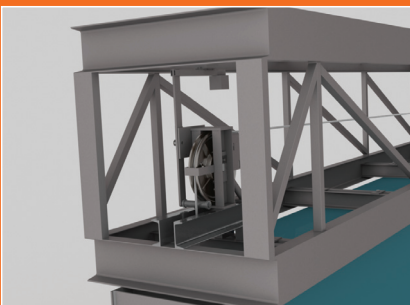




Mullion systems



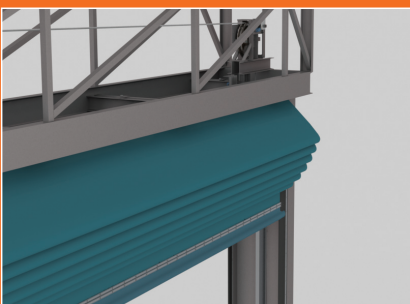
Bottom safety and seal



Cable pulley



Load arrestor



Hoist up curtain

